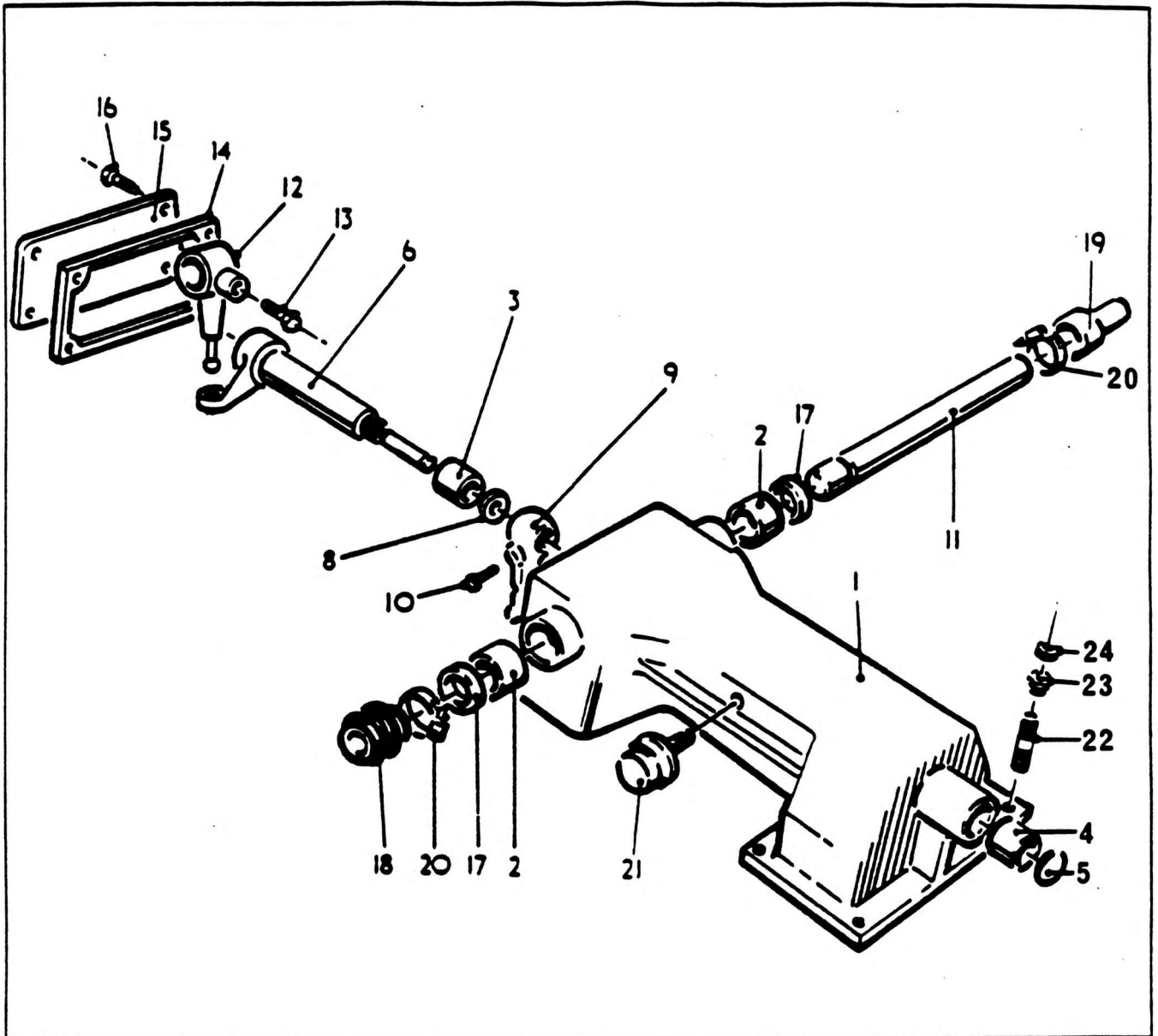


CONTROL UNIT - SLAVE L.H.D.



NO.	PART NO.	QTY.	DESCRIPTION	NO.	PART NO.	QTY.	DESCRIPTION
-	7-352-990219	1	Complete Assembly	15	9-352-100012	1	Cover Housing
-	8771578	1	Housing Assembly	16	9-352-990009	4	Bolt 5/16" UNC with Spring Washer
1	8753187	1	Housing	17	9-352-100004	2	Oil Seal
2	9-352-100027	2	Bushing	18	9-904-990877	1	Boot Accordian
3	9-352-990010	1	Bush	19	9-352-100007	1	Boot Plain
4	9-352-990011	1	Bushing Inner Shaft	20	9-352-990012	2	Cable Tie
5	9-352-100020	1	Plug Expansion	21	9-904-107113	1	Breather
6	8398488	1	Shaft Inner Shift	22	9-352-100011	4	Stud
8	9-352-100016	1	Snap Ring	23	9-904-991320	4	Hex Nut
9	9-352-100018	1	Shift Yoke Inner	24	9-904-991321	4	Locknut
10	9-352-100019	1	Bolt 7/16" Drilled Head				
-	-	AR	Lockwire				
11	9-352-100003	1	Shaft Outer	A/R - As Required			
12	9-352-100013	1	Shift Yoke Outer				
13	9-904-101263	1	Locking Screw				
-	-	AR	Lockwire				
14	9-352-100015	1	Gasket				

7-352-990219  
Issue No. 00